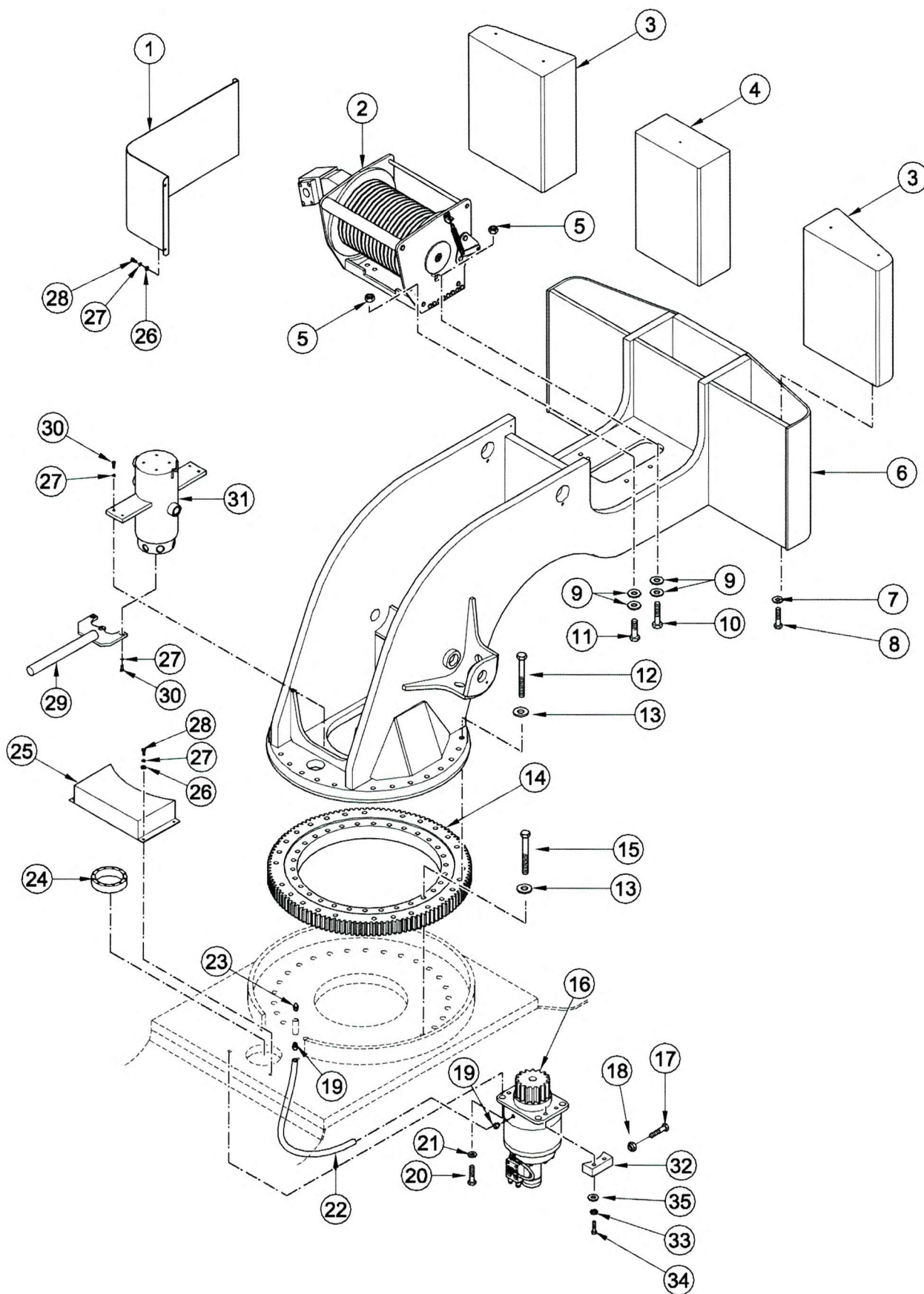


Manitowoc Crane Group



12022

(SHEET 1 OF 1)

Page 2